

komfovent



DOMEKT



Residential
ventilation units
with heat recovery

DOMEKT features



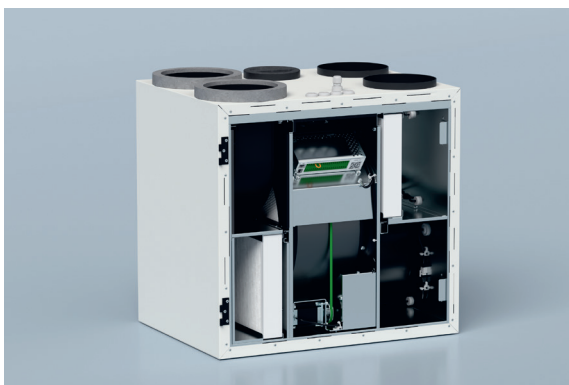
Wide range for different situations

- 30 different models of Domekt units to fit any residential or small commercial premises.
- Airflows ranging from 50 m³/h to 1000 m³/h.
- Different heat exchangers available: rotary, counter flow and two types of enthalpy exchangers.
- Various modifications with vertical or horizontal duct connections, low-profile or supply-only units.



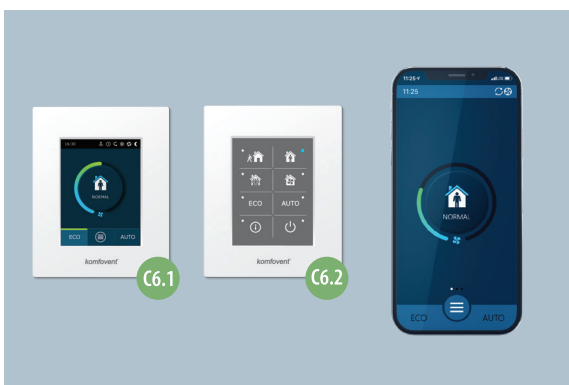
Insulated, reliable and durable casing

- Plastic duct connections with special insulation rings simplify the connection of ducts, ensure better tightness and reduce thermal losses.
- The construction of the casing with cold barriers minimizes the risk of condensation.
- Airtight doors. Locks without thermal bridges.
- The mineral wool filling is non-flammable and provides good heat and noise insulation.



Cost reducing solutions

- Modern energy-efficient EC fans.
- Sorption-enthalpy rotary or Diffusion-enthalpy counterflow heat exchangers – efficiently recover humidity in winter and repel moisture in summer.
- Low resistance and high filtration filters.
- Over 20 built-in energy-saving functions to optimize the unit's operation.



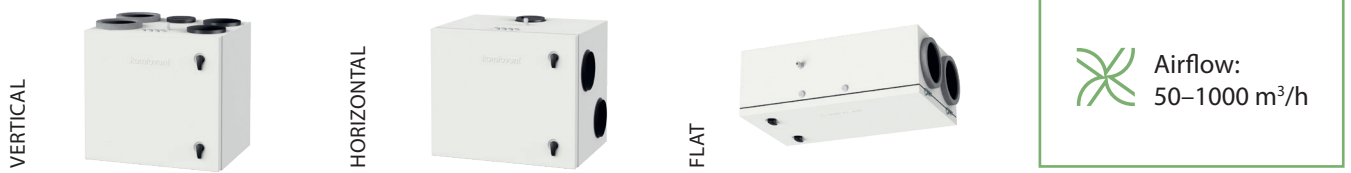
Intuitive user interface

- Two models of control panels available: C6.1 with colored touch-sensitive screen or C6.2 with simple touch buttons.
- Temperature and humidity sensors integrated into the control panel allow monitoring and control of air parameters.
- Simple and intuitive indoor climate adjustments from a smartphone, using "Komfovent control" app.
- Cloud-based web interface providing the ability to control ventilation from the internet.

Range review

Residential ventilation units with heat recovery. Depending on the individual requirement, units can be equipped with a rotary or counterflow plate heat exchanger. Vertical, horizontal and flat units are available with a wide range of modifications.

TYPES OF THE UNITS

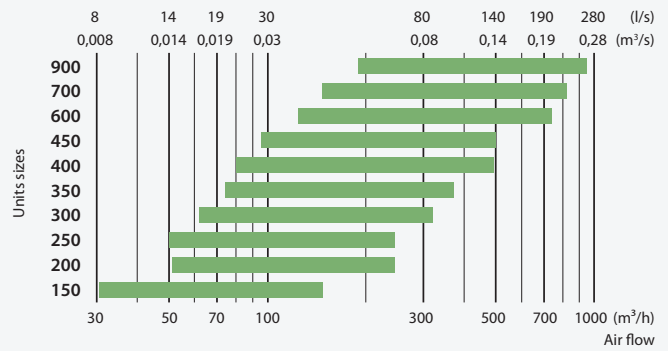


TYPES OF THE HEAT EXCHANGERS

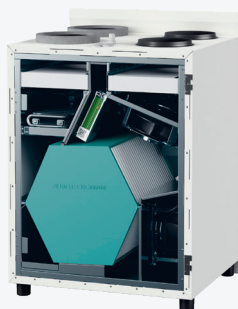
Domekt R
with rotary heat exchanger



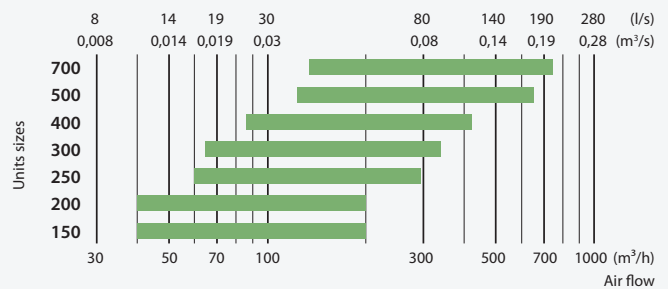
Sizes and capacities of Domekt R units



Domekt CF
with counter flow heat exchanger



Sizes and capacities of Domekt CF units



Specifications

Unit size		150			200			250		300		350	
AHU type		Domekt R	Domekt CF	Domekt R VSO	Domekt R	Domekt RE1	Domekt CF	Domekt CF	Domekt R	Domekt CF	Domekt R	Domekt CF	
Control system		C8	C6M	C8	C8	C8	C6M	C8	C8	C6	C8	C6M	C8
Heat exchanger type													
Humidity recovery Standard / Enthalpy		△/△△△	△/△△	△	△	△	△/△△	△/△△	△/△△△	△/△△	△/△△△	△/△△	△/△△△
Duct connection													
SEC		A	A+	A	A	A	A+	A+	A	A	A	A+	A+
Reference flow rate	m³/s	0,029	0,039	0,041	0,05	0,05	0,039	0,039	0,049	0,057	0,056	0,059	0,068
	m³/h	105	140	149	163	163	140	140	175	204	202	213	246
Maximal air flow at 100 Pa	m³/h	150	202	213	233	233	199	202	250	292	288	304	352
Dimensions	B, mm	460	560	1370	325	325	630	560	602	604	630	630	494
	H, mm	280	294	2160	607	607	790	294	310	294	280	790	512
	L, mm	780	1100	750	600	600	595	1100	842	1250	1090	595	598
Unit weight	kg	29	29	153	39	39	42	28	42	52	56	42	45
Duct diameters	mm	Ø 125 (1X) Ø 160 (4X)	Ø 160 (4X)	Ø 100 (1X) Ø 125 (2X)	Ø 125 (6X)	Ø 125 (5X) Ø 100 (1X)	Ø 160 (4X)	Ø 160 (4X)	Ø 125 (1X) Ø 160 (4X)	Ø 160 (4X)	Ø 125 (1X) Ø 160 (4X)	Ø 160 (4X)	Ø 125 (1X) Ø 160 (4X)
Thermal efficiency of heat recovery	%	82	90	81	80	80	92	90	80	86	83	88	86
Electric power input of the fan drive at reference flow rate	W	17	14	26	23	23	16	14	34	33	32	35	37
Electric power input of the fan drive at maximum flow rate	W	41	41	61	63	63	37	41	78	91	80	91	103
Electric preheater / air heater capacity	kW	-/0,5	0,75/0,5	-/0,5	-/0,5	-/1	1/0,5	-/0,5	-/1	1/0,5	-/1	1/0,5	-/0,5

LEGEND:

Heat exchanger type:

Rotary
 △△△ L/AZ – Sorption-enthalpy
 △ L/A – Condensing

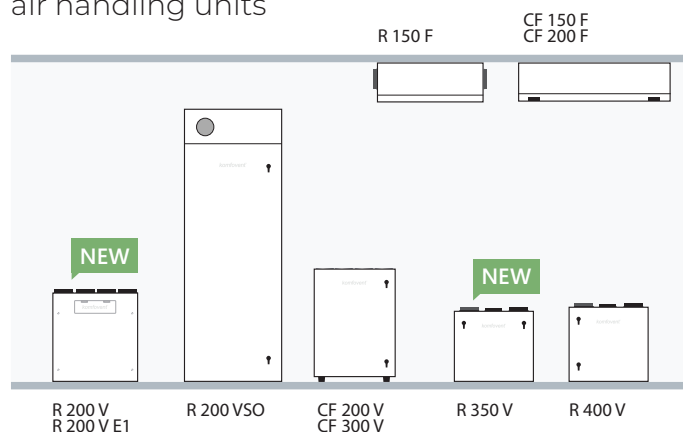
Counterflow
 △△ ER – Diffusion-enthalpy
 △ Condensing

Types of the units:

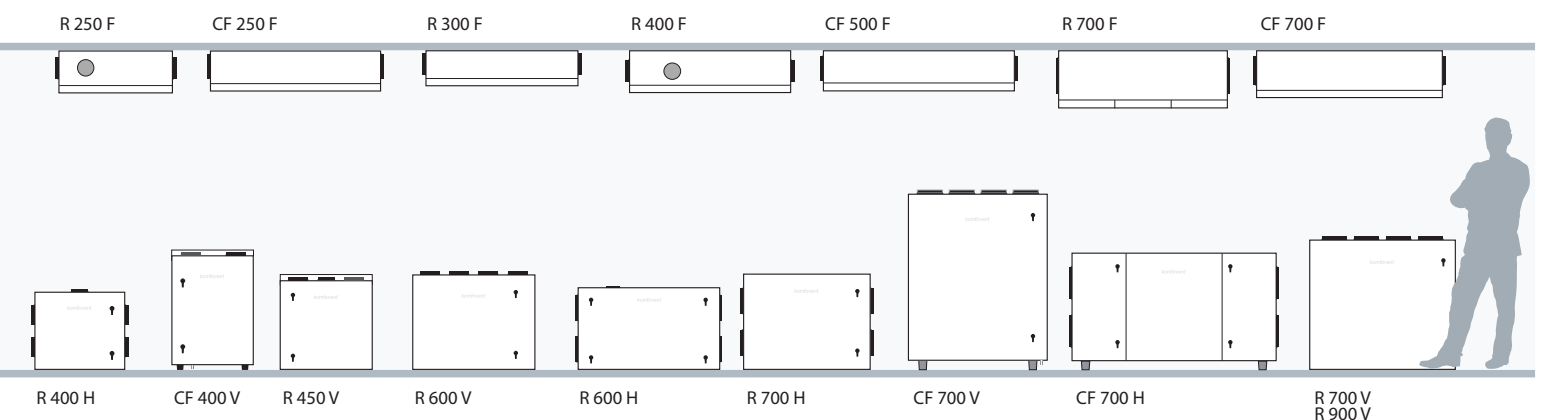
horizontal vertical flat

- Standard filter class (supply/exhaust) – ePM1 60% / ePM10 50 % (F7/M5)
- Heater type: electric
- Supply voltage: 1~230 V

DOMEKT air handling units



400				450	500	600		700					900	
Domekt R	Domekt R	Domekt R	Domekt CF	Domekt R	Domekt CF	Domekt R	Domekt R	Domekt R	Domekt R	Domekt R	Domekt CF	Domekt CF	Domekt CF	Domekt R
C6M	C6M	C6M	C6M	C6M	C6M	C6M	C6M	C6M	C6M	C6M	C6M	C6M	C6M	C6M
ø/øøøø	ø/øøøø	ø/øøøø	ø/øø	ø/øøøø	ø/øø	ø/øøøø	ø/øøøø	ø/øøøø	ø/øøøø	ø/øøøø	ø/øøøø	ø/øø	ø/øø	ø/øøøø
A+	A+	A+	A+	A+	A+	A+	A+	A+	A+	A+	A+	A+	A+	A
0,073	0,097	0,082	0,082	0,096	0,13	0,13	0,126	0,14	0,144	0,149	0,13	0,121	0,14	0,183
261	350	295	295	347	455	468	455	517	519	535	455	435	494	659
373	500	421	422	496	650	669	650	738	742	764	650	621	706	942
495	515	700	585	585	1045	610	570	637	634	850	491	487	875	637
561	567	310	750	655	292	750	600	950	700	420	1220	700	344	950
598	660	1170	598	680	1400	905	1060	1070	930	1240	1020	1500	1365	1070
49	49	65	55	60	93	82	80	110	83	93	100	95	84	110
ø 125 (1X) ø 160 (4X)	ø 125 (1X) ø 160 (4X)	ø 125 (1X) ø 200 (4X)	ø 160 (4X)	ø 125 (1X) ø 160 (4X)	ø 200 (4X)	ø 125 (1X) ø 200 (4X)	ø 125 (1X) ø 200 (4X)	ø 125 (1X) ø 250 (4X)	ø 125 (1X) ø 250 (4X)	ø 125 (1X) ø 250 (4X)	ø 200 (4X)	ø 250 (4X)	ø 250 (4X)	ø 125 (1X) ø 250 (4X)
86	84	83	89	86	89	84	83	84	84	83	89	89	88	83
43	52	39	48	55	56	59	62	76	73	74	73	71	67	118
118	125	84	123	147	167	167	158	178	179	181	178	180	176	235
-/1	-/1	-/1	1/0,5	-/1	1/0,5	-/1,5	-/1	-/2	-/2	-/2	1/1	1,5/0,5	1/1	-/2



“Komfovent Control” app

Your home indoor climate
in your hand with
KOMFOVENT CONTROL app



Easily manage your home's indoor climate with "Komfovent Control". This intuitive mobile app offers extensive control options, allowing you to quickly and conveniently adjust ventilation settings wherever you are.

"Komfovent Control" – home comfort at your fingertips.

Smart control systems C6M, C8 for DOMEKT units



For both: beginners and advanced users

A user-friendly interface enables intuitive navigation and control of the unit. The core philosophy behind the design of C6M, C8 – the ventilation unit would operate properly without constant adjustments from the user. Different ventilation modes are optimized for the user's daily needs. Automatic air quality control selects the most appropriate mode and ensures the comfort conditions in the room.

Advanced users can control the unit's operation according to their needs, many settings and control possibilities are provided as well:

- Air flow control: CAV / VAV / DCV*.
- Intensity control by air quality, CO₂, humidity level.

"Komfovent Control" app

The cloud-based application is designed to control residential ventilation units with C6M, C8 control system. A user-friendly interface ensures intuitive control. As the application fully replicates control panel functions, you will have access to all monitoring and control possibilities available in the control panel.

The application is available on Google Play, App Store and Huawei AppGallery.



Operating modes

- 8 preset modes.
- Intelligent energy saving algorithms.
- Automatic air quality control with optional AQ sensor.
- Extensive weekly schedule.

Energy counters*

- Real-time energy consumption indicator.
- Possibility of observing the running costs of the ventilation unit.
- Heat recovery counter.

* Except C8 control system.



DOMEKT selection software

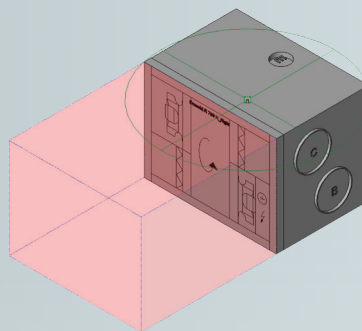


- For DOMEKT units with a capacity from 50 to 1000 m³/h.
- Parameters are calculated for specific climate and operating conditions.
- Selection of unit's accessories.
- Comparison of the units.
- DOMEKT 3D REVIT models are available in the selection software.



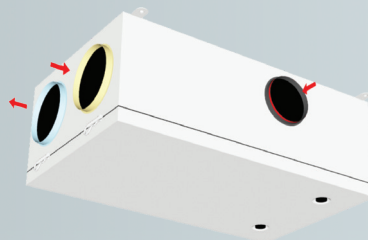
Komfovent DOMEKT + REVIT

Easy unit's integration into building information modeling – 3D REVIT models of DOMEKT units are available in the REVIT add-in KOMFOVENT HUB library.



Komfovent Domekt + MagiCAD

3D MagiCAD models of Domekt units are available in the MagiCAD Cloud library.



KOMFOVENT UAB

Lentvario str. 146

25132 Vilnius

Lithuania

info@komfovent.com

www.komfovent.com